

ATRIA II 8

REIMAGINING PERFORMANCE SPACES

SPECIFICATION SHEET
STATIC WHITE OUTDOOR

Housing

Diameter : Ø8.1" | Height : 21.5" | Weight : 20 lbs

Material

Housing : High Pressure Die-Cast Aluminum

Optics : Metal Reflector

Power Input

80W, 100W, 130W, 160W | 120-277V

Lumen Output

10,610 lm (80W), 13,265 lm (100W), 17,245 lm (130W), 21,220 lm (160W)

Dimming

Standard 0-10V : Dims to 10%

DALI : Dims to 10%

Color Quality

CRI 85, CRI 93

Rated Life

> 100,000 Hours (L70)

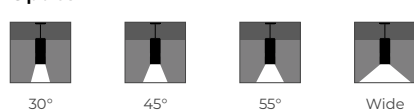
Finish



Color Temperature



Optics



Mounting



Warranty

5 Year limited warranty

Listing



DesignLights Consortium™ Qualified Luminaires:

DLC QPL Product ID : S-3P19DF

Not all product variations listed are DLC qualified.

To ensure that a specific model is qualified, visit www.designlights.org/search

Versatile and Compact Architectural Cylinder

Engineered for performance spaces, this cylinder offers versatile mounting and advanced dimming options. It seamlessly blends into ceilings, delivering powerful performance with vibrant, color-changing technology that elevates any stage environment.

With its next-gen design, the Atria Mark II features an upgraded light engine that boasts a 30% increase in lighting output across the series and introduces a new SilentBlack™ finish that reduces reflectance to under 5%.



METEOR

meteor-lighting.com

SPECIFICATION

PROJECT NAME

DATE

CATALOG #

QUANTITY

The product configurator function on this page works only with the latest version of Chrome or Adobe Acrobat Reader.

<input type="checkbox"/> ASII8	MODEL	ATRIA II 8		
<input type="checkbox"/>	WATTAGE	80 80W 160 160W	100 100W	130 130W
<input type="checkbox"/>	CCT / CRI	278 2700K / CRI 85 309 3000K / CRI 93 408 4000K / CRI 85	279 2700K / CRI 93 358 3500K / CRI 85	308 3000K / CRI 85 359 3500K / CRI 93
<input type="checkbox"/> UNV	VOLTAGE	UNV 120 – 277V		
<input type="checkbox"/>	DIMMING	STV Standard 0-10V dims to 10%	DALI ¹ DALI dims to 10%	
<input type="checkbox"/>	BEAM ANGLE	30 30° WD ² Wide	45 45°	55 55°
<input type="checkbox"/>	FINISH	BLK SilentBlack™, Matte Finish	WHT SilentWhite™, Matte Finish	
<input type="checkbox"/>	RIM FINISH	STD Standard	GLR Glowing Ring	
<input type="checkbox"/>	MOUNTING	ST2 Stem 2ft SAD10 Sloped Adjustable Cable 10ft SUM Surface Mount	ST4 Stem 4ft YKM Yoke Mount	AD10 Adjustable Cable 10ft WLM Wall Mount
<input type="checkbox"/>	RATING	OUT ³ Outdoor Rating	NAT ⁴ Natatorium Rating	
<input type="checkbox"/>	ACCESSORIES	SPD ⁵ Surge Protector	CT ⁶ Conduit Mount	

CLEAR FORM

¹ DALI is not compatible with 160
² WD option reduces delivered lumens by ~20%
³ Outdoor Rating: Coating and wiring will be changed to high UV resistant and corrosion resistant materials for long-term operation in outdoor environments
⁴ Natatorium Rating: Coating and sealant will be changed to high corrosion resistant materials to prevent damage from long-term exposure to chlorine vapors
⁵ Surge protector for up to 10KV. Applicable for unstable mains or facilities using high power machineries
⁶ CT is not compatible with SUM, YKM, WLM

TECHNICAL DETAILS

Electrical

- 10,610 lm (80W), 13,265 lm (100W), 17,245 lm (130W), 21,220 lm (160W)
- Power Input : Universal (120-277V)
- Operating Temperature : -13°F~112°F
- Surge Protection : Built-in is 4KV
- Power Factor Greater than 0.9

LED Features

- Color Temperature : 2700K, 3000K, 3500K, 4000K
- CRI 85, CRI 93
- Long lasting LED luminaire tested under TM21 lumen maintenance L70 @ 100,000 Hrs
- Lumen Maintenance > 0.90 at 60,000 hours

Optics

- Aluminum Reflector
- Beam Angle : 30°, 45°, 55°, WD

Advanced Dimming

- Proprietary VX Driver™ is integrated across all dimming options, delivering video flicker-free performance and full compliance with IEEE 1789.
- Standard 0-10V : Dims to 10%
- DALI : Dims to 10%

Housing

- Diameter : Ø8.1"
- Height : 21.5"
- Material : High Pressure Aluminum, Metal Reflector
- Weight : 20 lbs

Mounting

- Stem 2ft or 4ft; 45° Swivel Canopy Included
- Adjustable Cable 10ft
- Sloped Adjustable Cable 10ft
- Surface Mount
- Yoke Mount
- Wall Mount

Warranty

- 5-year limited warranty

Listing

- DLC Listed
- ETL Wet Location Listed
- CE
- UKCA
- FCC
- IP65

PERFORMANCE SUMMARY*

Delivered Lumens				
CCT/WATTAGE	2700K	3000K	3500K	4000K
80W	9,700lm	10,000lm	10,300lm	10,610lm
100W	12,130lm	12,500lm	12,880lm	13,265lm
130W	15,765lm	16,255lm	16,740lm	17,245lm
160W	19,405lm	20,005lm	20,265lm	21,220lm

Current Consumption		
WATTAGE / VOLT	120V	277V
80W	0.73A	0.32A
100W	0.91A	0.39A
130W	1.2A	0.52A
160W	1.5A	0.64A

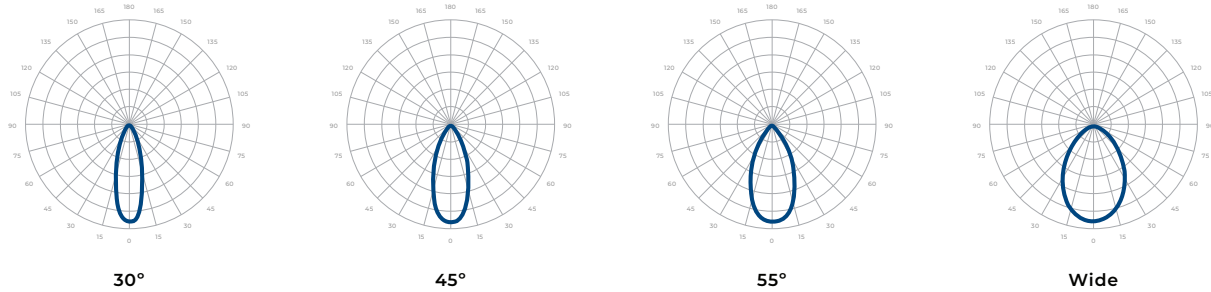
*Beam Angle 55° Tolerance±8%

*For specifications requiring a CRI of 93, apply a 0.75 multiplier to the lumen output values listed.

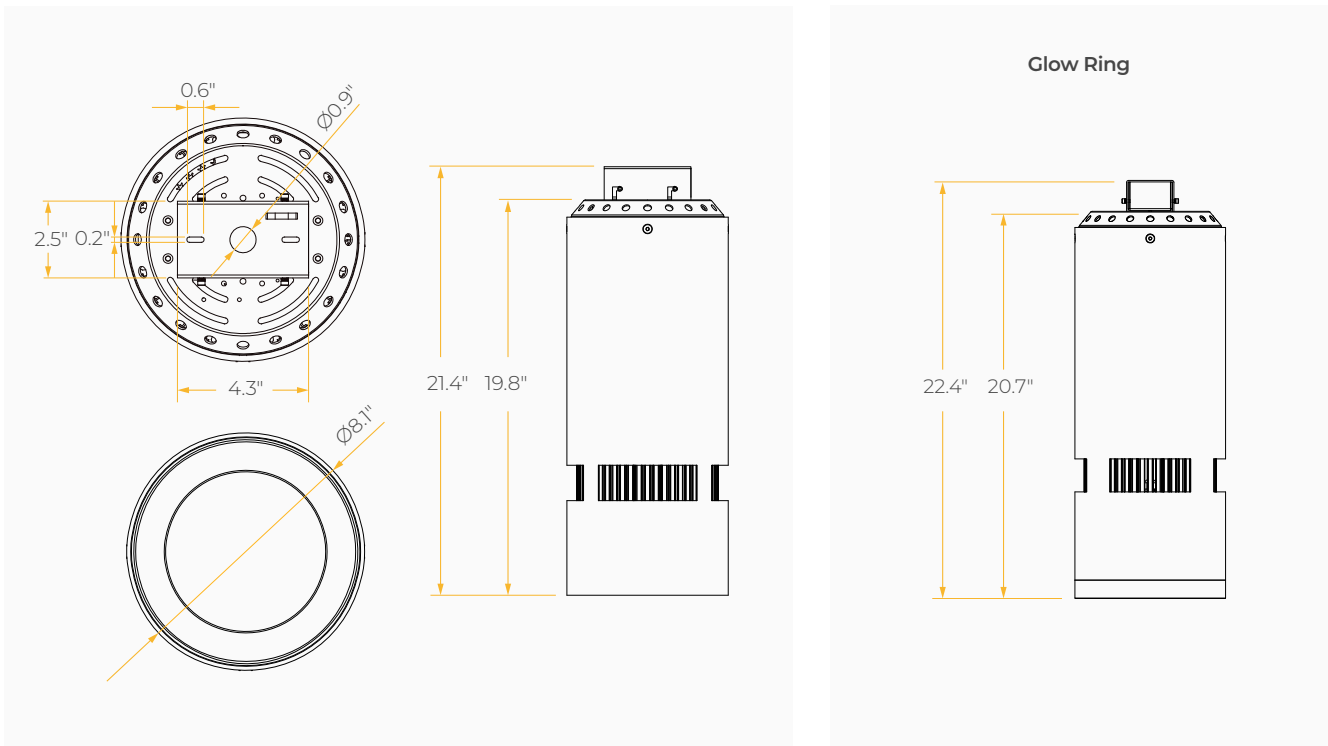
Emergency Pack Lumen Output Table			
CCT	2700K	3000K	4000K
LUMEN	1,870lm	1,925lm	2,040lm

PHOTOMETRICS

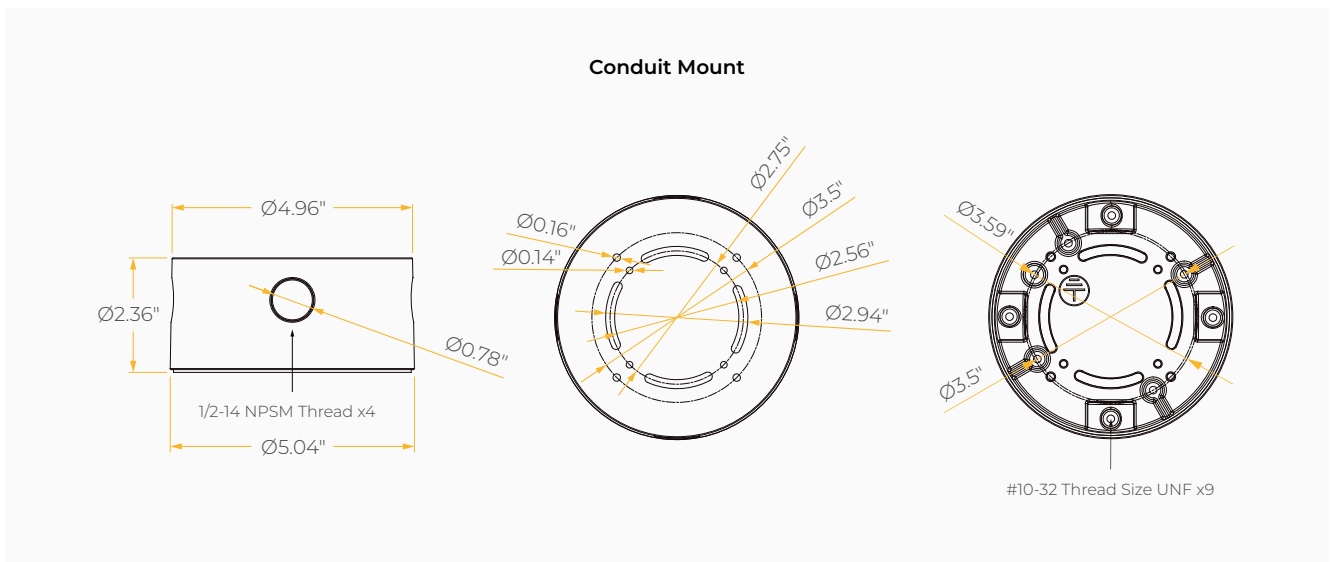
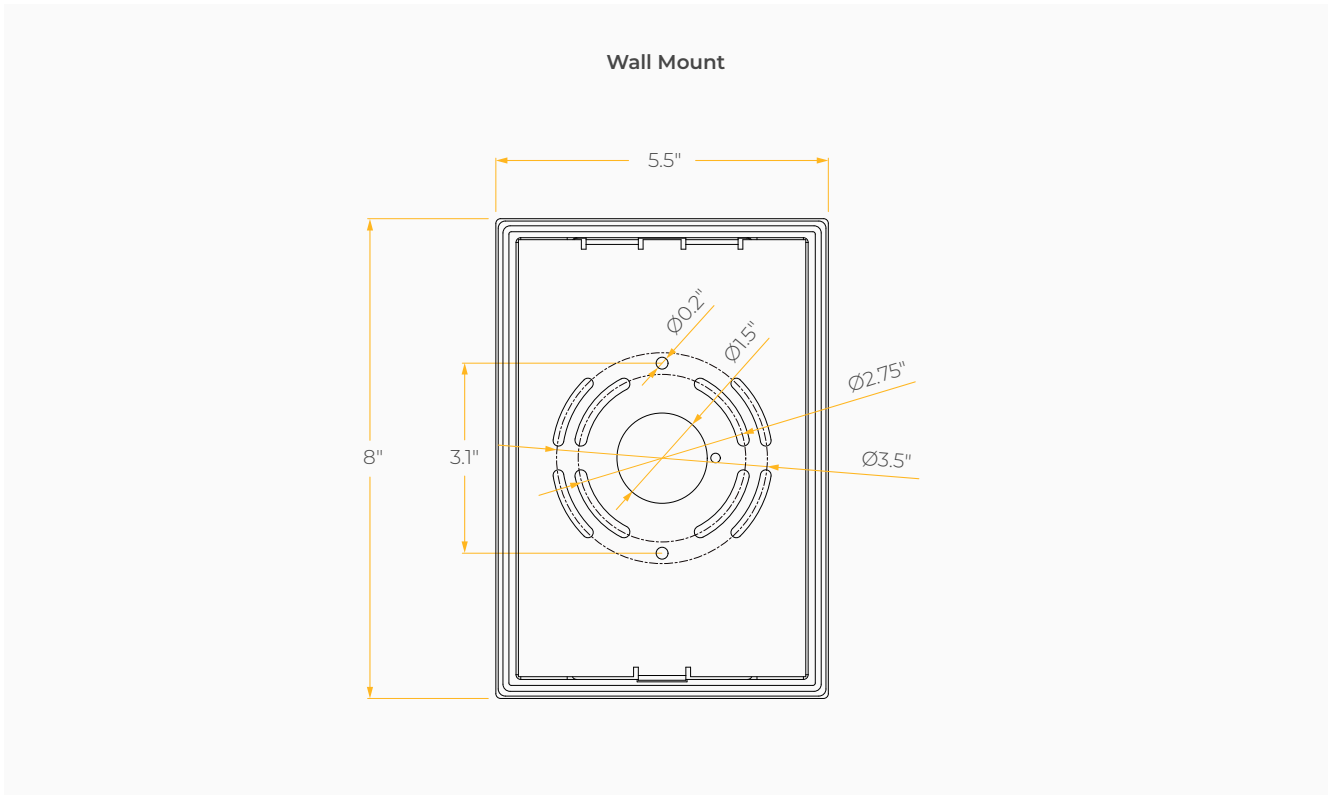
Below is a typical photometric representation of the Atria II 8 fixture. Please download IES files to ensure exact photometric value.



DIMENSIONS*



DIMENSIONS*



MOUNTING OPTIONS*

*Junction box not included

